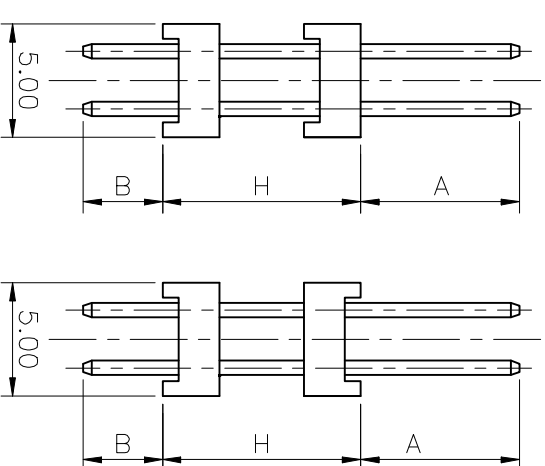
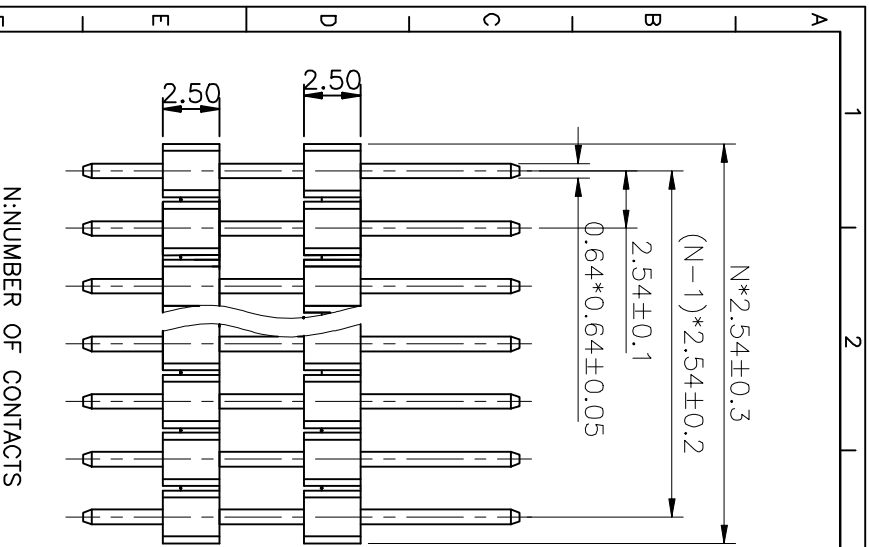


REV.	DESCRIPTION	DRAWN	CHECKED	APPROVED
A	NEW RELEASE	ZQJ 11/18/2014	~	ZQJ 11/18/2014
B	ADD P/N 008	CJJ 11/18/2014	~	

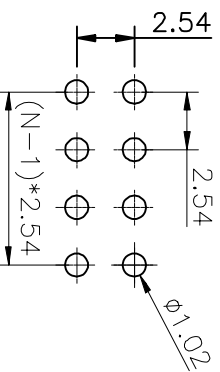


V1 TYPE V2 TYPE

NOTES:

- SPECIFICATION
 - CURRENT RATING:1.5 Amp.
 - INSULATION RESISTANCE:1000MΩ Min.
 - DIELECTRIC WITHSTANDING:600VAC.
 - CONTACT RESISTANCE:50mΩ Max.
 - TEMPERATURE RANGE:-40°C TO+105°C.

N:NUMBER OF CONTACTS



RECOMMEND PCB LAYOUT
(TOLERANCE=±0.05)

GENERAL TOLERANCE	ANGLE TOLERANCE
X ±0.60	X ±5°
.X ±0.38	X ±3°
.XX ±0.25	.XX ±2°

DRAWING TYPE	CUSTOMER
SCALE	1:1
DRAWING NO.	SHEET 1 OF 2

PROJECTION	TITLE
UNITS mm	BOARD SPACERS PIN HEADER
SHEET SIZE A4	PITCH 2.54mm TYPE
	SERIES LL1012A-02A

慈溪蓝翎电子有限公司
CIXI LANLING ELECTRONICS CO., LTD.

1 2 3 4 5 6 7 8