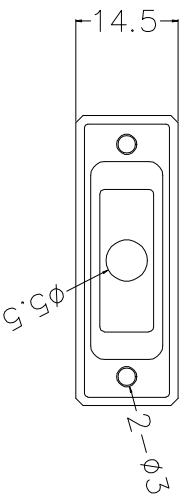
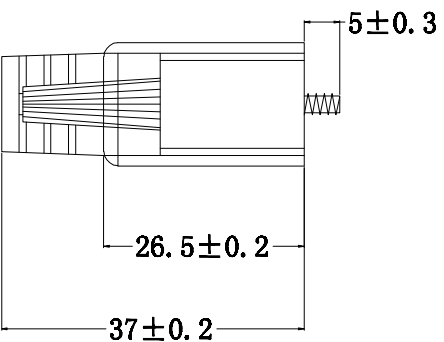
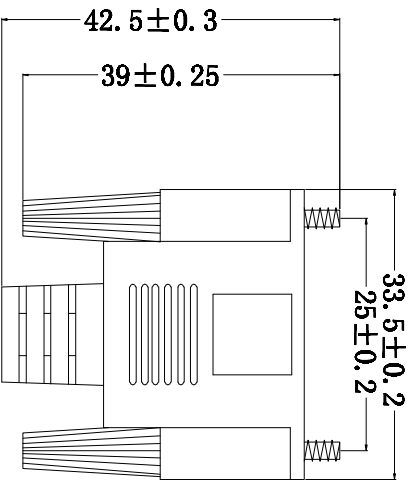


REV.	DESCRIPTION	DRAWN	CHECKED	APPROVED
A	NEW RELEASE	ZQJ 11/18/2015	~	ZQJ 11/18/2015
B	ADD P/N CODE	CJJ 11/18/2015	~	CJJ 11/18/2015



GENERAL TOLERANCE	ANGLE TOLERANCE
X, ± 0.60	X, $\pm 5^\circ$
.X, ± 0.38	.X, $\pm 3^\circ$
.XX, ± 0.25	.XX, $\pm 2^\circ$

PROJECTION	TITLE
UNITS: mm	9P DUST COVER PLASTIC
SHEET SIZE: A4	SERIES: LL1061

DRAWING TYPE	CUSTOMER	SHEET	1 OF 1
SCALE: 1:1			
DRAWING NO.			

慈溪蓝翎电子有限公司
CIXI LANLING ELECTRONICS CO., LTD.

ITEM	CONTACT	HOUSING	PART NAME
1			
2			

1 2 3 4 5 6 7 8