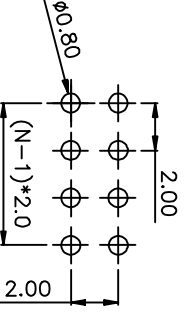
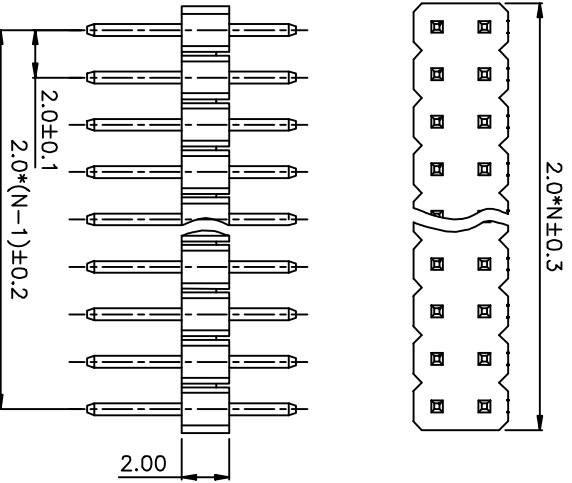


A&B: CUSTOMER LENGTH AVAILABLE
N: HALF OF CONTACTS



RECOMMEND PCB LAYOUT
(TOLERANCE=±0.05)

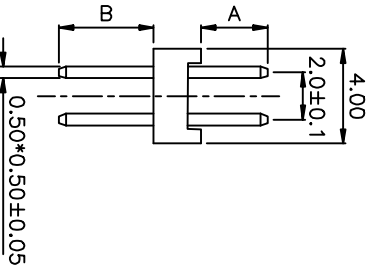


TABLE A:

TYPE	Dimension		TYPE	Dimension	
	A	B		A	B
1	2.80	4.00	10	2.80	5.50
2	3.50	5.08	11	3.00	3.70
3	10.00	2.00	12	2.20	4.60
4	2.80	10.20	13	3.00	6.00
5	4.00	8.00	14	2.40	5.00
6	2.50	4.30	15	2.70	8.50
7	2.80	3.90	16	2.80	11.00
8	3.00	3.50	17		
9	3.00	3.80	18		

NOTES:

- MATERIAL&FINISHES
 - INSULATOR: THERMOPLASTIC (UL 94V-0).
 - CONTACT MATERIAL: COPPER ALLOY.
- SPECIFICATION
 - CURRENT RATING: 1.5 Amp.
 - INSULATION RESISTANCE: 1000MΩ Min.
 - DIELECTRIC WITHSTANDING: 600VAC.
 - CONTACT RESISTANCE: 20mΩ Max.
 - OPERATING TEMPERATURE: -40°C TO +105°C.

REV.	DESCRIPTION	DRAWN	CHECKED	APPROVED
A	NEW RELEASE	ZQJ 11/18/2014	~	ZQJ 11/18/2014
B	ADD P/N CODE	CJJ 11/18/2014	~	

GENERAL TOLERANCE		ANGLE TOLERANCE	
X	±0.60	X	±5°
.X	±0.38	X	±3°
.XX	±0.25	.XX	±2°

DRAWING TYPE	CUSTOMER	SHEET	1 OF 1
SCALE	1:1		
DRAWING NO.			

PROJECTION		TITLE	
UNITS	mm	2.0MM PIN HEADER DUAL ROW	
SHEET SIZE	A4	S/T Type	
		SERIES	LL1011-2

慈溪蓝翎电子有限公司
CIXI LANLING ELECTRONICS CO., LTD.

