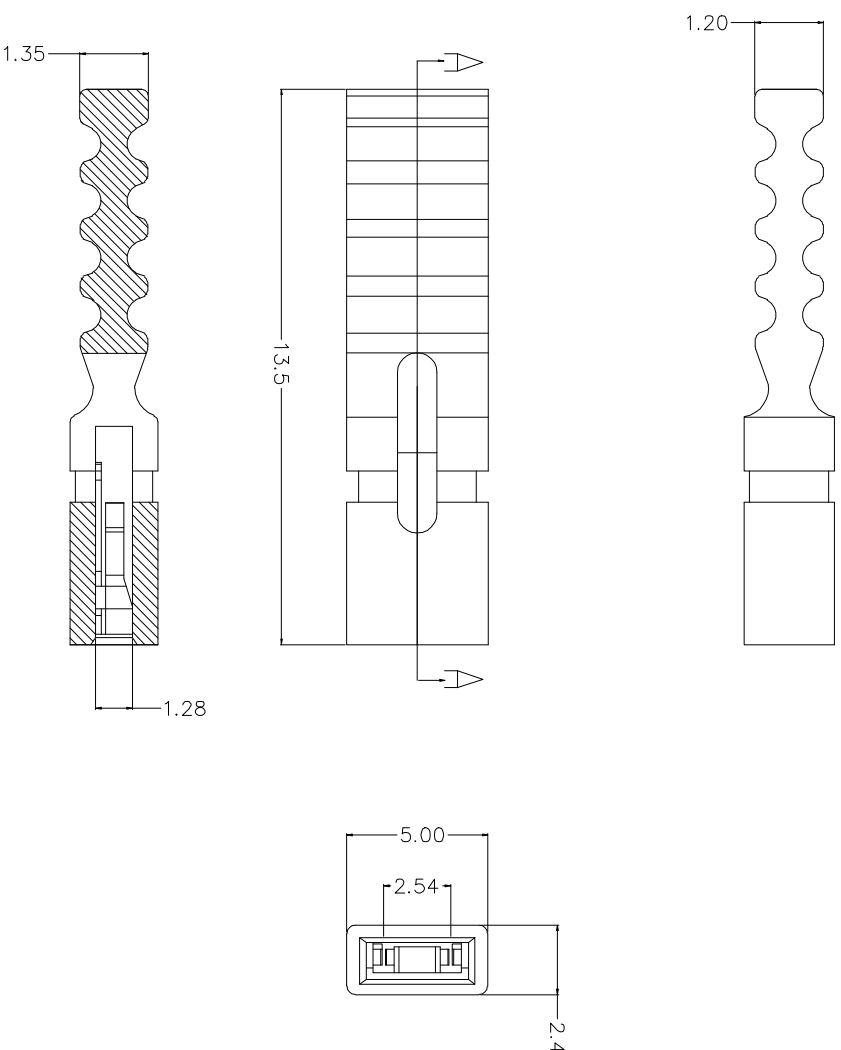


REV.	DESCRIPTION	DRAWN	CHECKED	APPROVED
A	NEW RELEASE	ZQJ 11/18/2015	~	ZQJ 11/18/2015
B	ADD P/N CODE	CJJ 11/18/2015	~	CJJ 11/18/2015

2.54短路块-13.5mm (带把手)



SECTION A-A

- ### Specification
1. Insulator Material: PA66
 2. Contact Material: Phosphor bronze or brass, $T=0.2 \pm 0.02\text{mm}$
 3. Contact Area Plated: Gold over Nickel or Tin

GENERAL TOLERANCE		ANGLE TOLERANCE		PROJECTION	
X	± 0.60	X	$\pm 5^\circ$	UNITS	mm
X	± 0.38	X	$\pm 3^\circ$	SHEET SIZE	A4
.XX	± 0.25	.XX	$\pm 2^\circ$	TITLE	2.54mm Mini Jumper
DRAWING TYPE		CUSTOMER		SERIES	
SCALE		1:1		LL1044-1D 13.5mm	
DRAWING NO.				SHEET	
				1 OF 1	


慈溪蓝翎电子有限公司
 CIXI LANLING ELECTRONICS CO., LTD.

ITEM	PART NAME
1	HOUSING
2	CONTACT