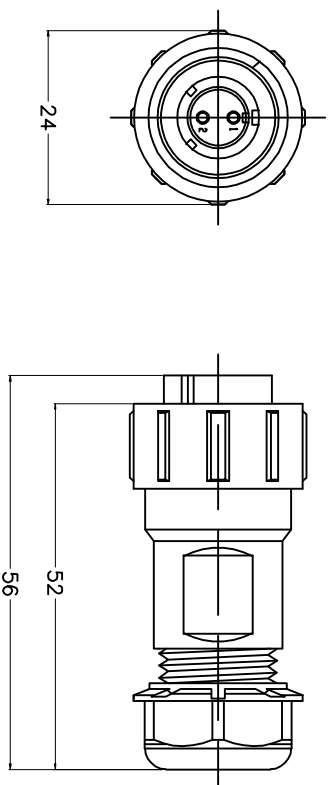


REV.	DESCRIPTION	DRAWN	CHECKED	APPROVED
A	NEW RELEASE	ZQJ 11/18/2015	~	ZQJ 11/18/2015
B	ADD P/N CODE	CJJ 11/18/2015	~	CJJ 11/18/2015



电缆插头
Cable connector
与LL1711, LL1712相配
Mate with LL1711, LL1712

芯数 Number of contact	2	3	4	5	7	9
插针绝缘体正面图 Male contact face view						
额定电流5A-10A Rated current (A)	10 A	10 A	5 A	5 A	5 A	5 A
接触件直径 Contact diameter	Φ 1.5×2	Φ 1.5×3	Φ 1×4	Φ 1×5	Φ 1×7	Φ 1×9
工作电压 (AC, V) Rated voltage (AC, V)	500V	500V	500V	500V	400V	400V
耐压 (AC, V) 1min Test voltage (AC, V) 1min	1500V	1500V	1500V	1500V	1200V	1200V

GENERAL TOLERANCE	ANGLE TOLERANCE
X, ±0.60	X, ±5°
.X, ±0.38	.X, ±3°
.XX, ±0.25	.XX, ±2°

PROJECTION	TITLE
UNITS mm	MI 7 Waterproof Connector
SHEET SIZE A4	SERIES LL-1710/P LL-1710/S

ITEM	CONTACT	HOUSING	PART NAME
1			
2			

LANLING 蓝翎电子
慈溪蓝翎电子有限公司
CIXI LANLING ELECTRONICS CO., LTD.