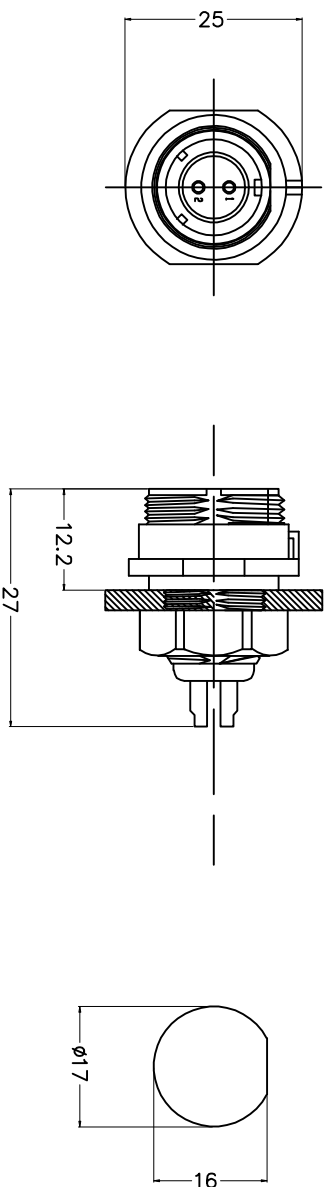


REV.	DESCRIPTION	DRAWN	CHECKED	APPROVED
A	NEW RELEASE	ZQJ 11/18/2015	~	ZQJ 11/18/2015
B	ADD P/N CODE	CJJ 11/18/2015	~	CJJ 11/18/2015



后螺母插座
Rear mount
与LL1710相配
Mate with LL1710

芯数 Number of contact	2	3	4	5	7	9
插针绝缘体正面图 Male contact face view						
额定电流5A-10A Rated current (A)	10 A	10 A	5 A	5 A	5 A	5 A
插插件直径 Contact diameter	Φ 1.5×2	Φ 1.5×3	Φ 1×4	Φ 1×5	Φ 1×7	Φ 1×9
工作电压 (A.C. V) Rated voltage(A.C. V)	500V	500V	500V	500V	400V	400V
耐压 (A.C. V) 1min Test voltage(A.C. V) 1min	1500V	1500V	1500V	1500V	1200V	1200V

GENERAL TOLERANCE	ANGLE TOLERANCE
X, ±0.60	X, ±5°
X, ±0.38	X, ±3°
.XX, ±0.25	.XX, ±2°

PROJECTION UNITS	TITLE
mm	M17 Waterproof Connector
SHEET SIZE	SERIES
A4	LL-1712/P LL-1712/S

ITEM	CONTACT	HOUSING	PART NAME	SCALE	DRAWING TYPE	CUSTOMER	DRAWING NO.	SHEET	1 OF 1
1	CONTACT	HOUSING		1:1					
2									



慈溪蓝翎电子有限公司
CIXI LANLING ELECTRONICS CO., LTD.