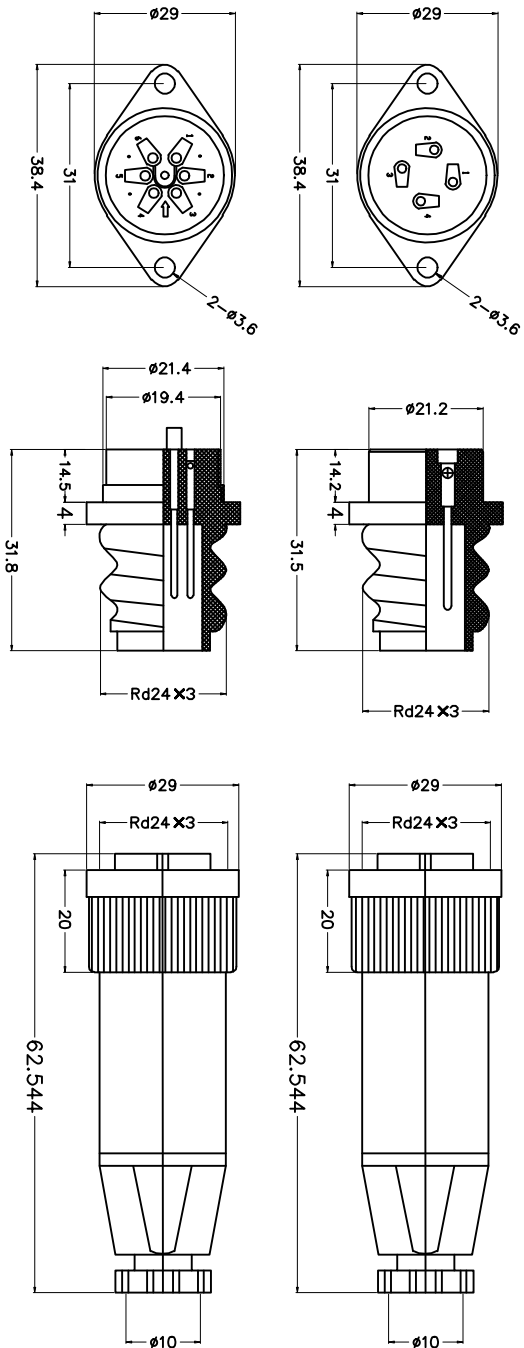


REV.	DESCRIPTION	DRAWN	CHECKED	APPROVED
A	NEW RELEASE	ZQJ 11/18/2015	~	ZQJ 11/18/2015
B	ADD P/N CODE	CJJ 11/18/2015	~	CJJ 11/18/2015



DF21G 系列 4T.7T

材料 Material	DF21G-4 正装 Reverse	DF21G-7 正装 Reverse
材料: 磷青铜 表面处理: 镀金 镀层厚度: $\geq 10\mu m$ 镀层厚度: $\geq 10\mu m$ 材料: 磷青铜 表面处理: 镀金 镀层厚度: $\geq 10\mu m$	$\phi 29$ $\phi 21.4$ $\phi 19.4$ 2	$\phi 29$ $\phi 21.2$ $\phi 19.4$ 1.0

GENERAL TOLERANCE		ANGLE TOLERANCE	
X, .X	± 0.60	X, .X	$\pm 5^\circ$
.XX	± 0.38	.X	$\pm 3^\circ$
	± 0.25	.XX	$\pm 2^\circ$

2	CONTACT	DRAWING TYPE	CUSTOMER
1	HOUSING	SCALE	1:1
1	PART NAME	DRAWING NO.	SHEET 1 OF 1

PROJECTION UNITS: mm

SHEET SIZE: A4

SERIES: DF21G

TITLE: DF21G Micro Jack Connector

LANLING 蓝翎电子

慈溪蓝翎电子有限公司
CIXI LANLING ELECTRONICS CO., LTD.