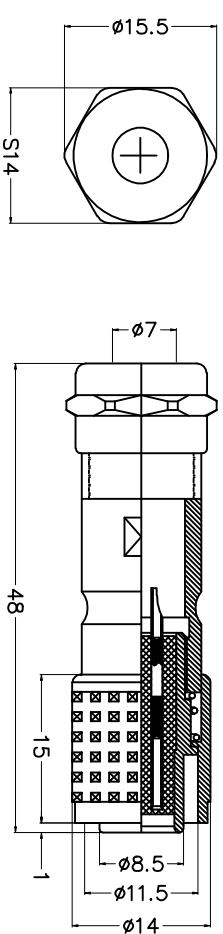


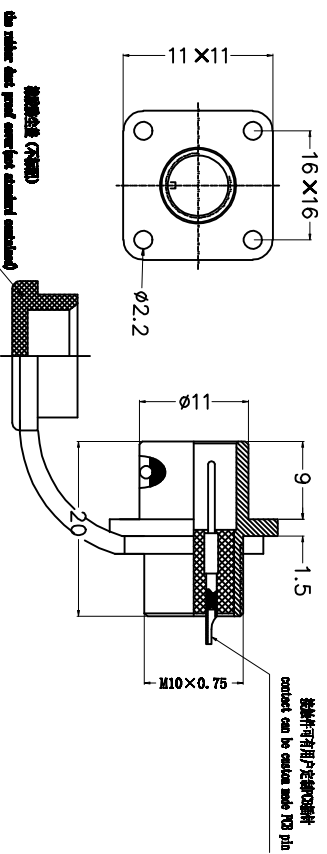
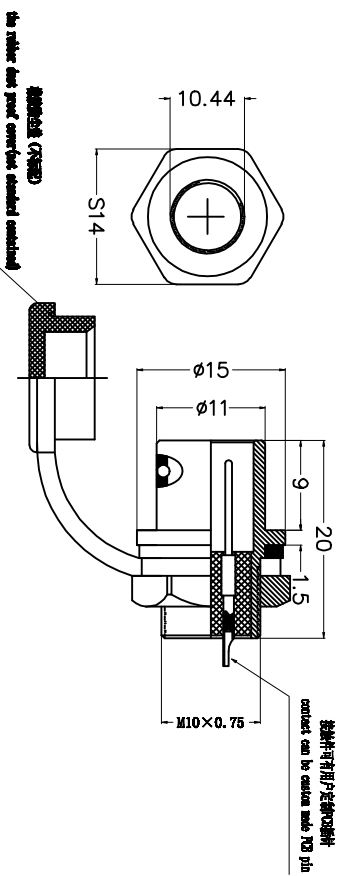
REV	DESCRIPTION	DRAWN	CHECKED	APPROVED
A	NEW RELEASE	ZQJ 11/18/2015	~	ZQJ 11/18/2015
B	ADD P/N CODE	CJJ 11/18/2015	~	CJJ 11/18/2015

直式母插头 (镀铬)
straight female plug (Chrome plated)

SF10



板前安装单切面公插座 (镀铬)
Installation from front of panel single section male socket
(Chrome plated)



板前安装四法兰公插座 (镀铬)
Installation from front of panel square flange male socket
(Chrome plated)

数量	数量	数量	数量	数量	数量	数量
1+0	1+0	1+0	1+0	1+0	1+0	1+0
04.8	04.8	04.8	04.8	04.8	04.8	04.8
4	4	4	4	4	4	4
150	150	150	150	150	150	150
1200	1200	1200	1200	1200	1200	1200
10	10	10	10	10	10	10
2000	2000	2000	2000	2000	2000	2000
04.8	04.8	04.8	04.8	04.8	04.8	04.8

ITEM	PART NAME
1	HOUSING
2	CONTACT

GENERAL TOLERANCE	ANGLE TOLERANCE
X, ±0.60	X, ±5°
.X, ±0.38	.X, ±3°
.XX, ±0.25	.XX, ±2°

PROJECTION: SF10 Micro Jack Connector

UNITS: mm

SHEET SIZE: A4

SERIES: LL-SF10

慈溪蓝翎电子有限公司
CIXI LANLING ELECTRONICS CO., LTD.