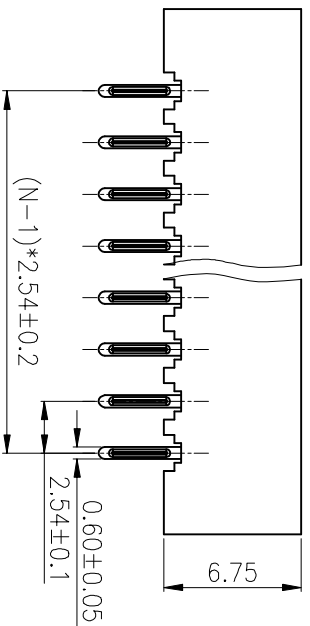
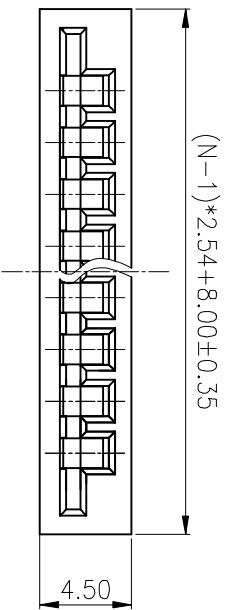
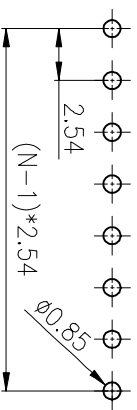


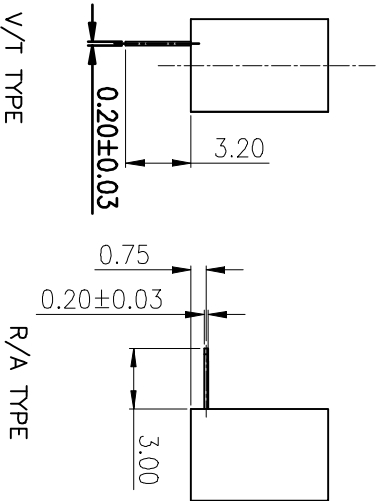
REV	DESCRIPTION	DRAWN	CHECKED	APPROVED
A	NEW RELEASE	ZQJ 11/18/2014		



N:NUMBER OF CONTACTS



RECOMMEND PCB LAYOUT(TOLERANCE=±0.05)

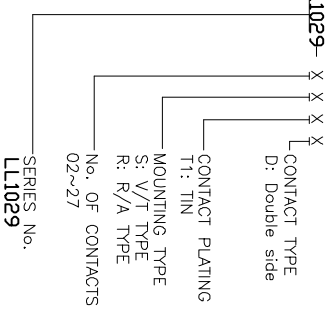


V/T TYPE

R/A TYPE

- NOTES:
- MATERIAL
 - INSULATOR:THERMOPLASTIC(UL 94V-0).
 - CONTACT: COPPER ALLOY.
 - SPECIFICATION
 - TEMPERATURE:-45°C~+110°C.
 - CONTACT RESISTANCE:20mΩ max.
 - INSULATION RESISTANCE:1000MΩ min.
 - DIELECTRIC WITHSTANDING VOLTAGE:AC 500V PER MINUTE.

3. PRODUCT NUMBER CODE:



GENERAL TOLERANCE	ANGLE TOLERANCE	PROJECTION	TITLE
X, ±0.60	X, ±5°	mm	FFC/PPC CONNECTOR
.X, ±0.38	.X, ±3°	mm	PITCH 2.54mm UF:1/H
.XX, ±0.25	.XX, ±2°	A4	LLI1029
DRAWING TYPE	CUSTOMER	SHEET SIZE	SERIES
SCALE	1:1	1 OF 1	LLI1029
DRAWING NO.			

慈溪蓝翎电子有限公司
CIXI LANLING ELECTRONICS CO., LTD.

