

REV	DESCRIPTION	DRAWN	CHECKED	APPROVED
A	NEW RELEASE	ZQJ 11/18/2015	~	ZQJ 11/18/2015
B	ADD P/N CODE	CJJ 11/18/2015	~	CJJ 11/18/2015

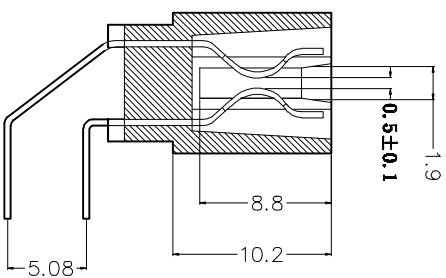
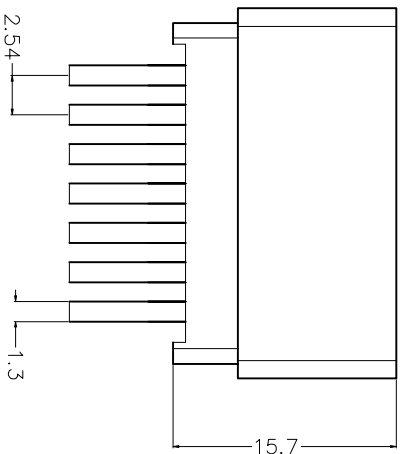
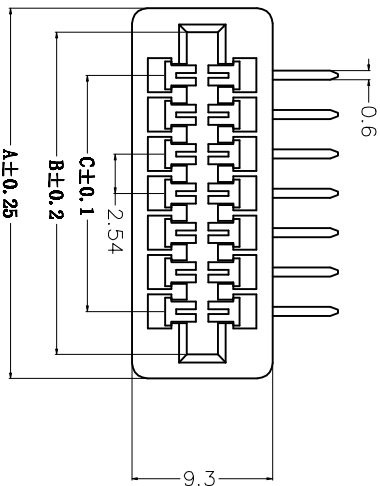
材质 Material

SL0T-2.54-90度

绝缘体 Insulator	Glass Filled PBT UL94V-0
绝缘体 Contactis	Brass/Phosphor Bronze T=0.4
电镀层 Plating	Tin Plated

材质 Electrical

接触电阻 Contact Resistance	20mΩ max at DC100mA
绝缘电阻 Insulator Resistance	1000MΩ min at 500V DC
耐压 Withstanding Voltage	500V AC/rms 50Hz for 1 min
工作电流 Current Rating	1 AMP
使用温度范围 Operating Temp	-40℃~+105℃



Position	06M	08M	10M	12M	14M	16M	20M	22M	24M
A	13.92	16.46	19.00	21.54	24.08	26.62	31.70	34.24	36.78
B	10.52	13.06	15.06	18.14	20.68	23.22	28.30	30.84	33.38
C	5.08	7.62	10.16	12.70	15.24	17.78	22.86	25.40	27.94

Position	26M	30M	36M	40M	44M	50M	60M	62M	72M	98M
A	39.32	44.40	52.02	57.10	62.18	69.80	82.50	85.04	97.74	138.38
B	35.92	41.00	48.62	53.70	58.78	66.40	79.10	81.64	94.34	134.98
C	30.48	35.56	43.18	48.26	53.34	60.96	73.66	76.20	88.90	129.54

GENERAL TOLERANCE ANGLE TOLERANCE

X: ±0.60
X: ±0.38
.XX: ±0.25

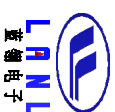
X: ±5°
X: ±3°
.XX: ±2°

PROJECTION UNITS mm TITLE 2.54mm Edge Card Connector Slot

SHEET SIZE A4 SERIES LI1038-5

ITEM	CONTACT	HOUSING	PART NAME
1			
2			

DRAWING TYPE CUSTOMER
SCALE 1:1 SHEET 1 OF 1
DRAWING NO. 4



慈溪蓝翎电子有限公司
CIXI LANLING ELECTRONICS CO., LTD.