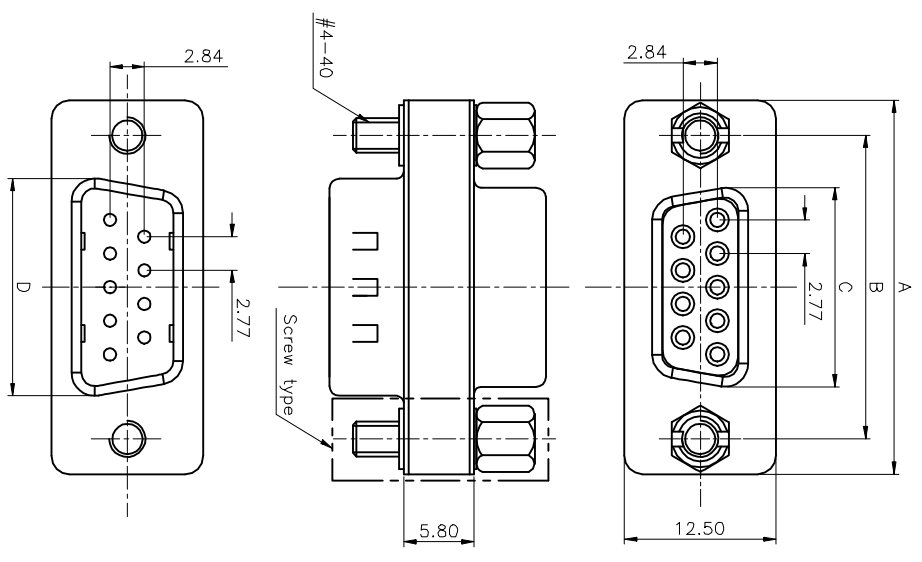


REV	DESCRIPTION	DRAWN	CHECKED	APPROVED
A	NEW RELEASE	CJJ 11/18/2014		

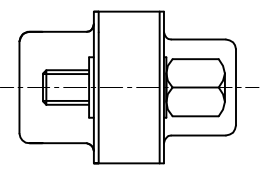
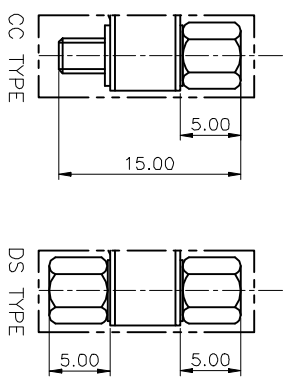
NOTES:

- SPECIFICATION:
 - Current Rating: 1.5A.
 - Insulation Resistance: 1000MΩ min.
 - Dielectric Withstanding: 500V for One minute.
 - Contact resistance: 50mΩ max.
 - Operating Temperature: -40°C to +105°C
- MATERIALS
 - Housing: Thermoplastic(UL94 V-0).
 - Contact: Copper alloy.
 - Shell: Steel.
- Product Number code:
 - LL1046-5 -



Dimension

Position	A±0.2	B±0.2	C±0.2	D±0.2
9	30.80	24.99	16.33	17.90
15	39.14	33.32	24.66	26.50
25	53.04	47.04	38.38	40.00
37	69.32	63.50	54.84	56.50



- 9F: 9Female & 9Female
 - 9M: 9Mide & 9Female
 - 9P: 9Mide & 9Male
 - 15F: 15Female & 15Female
 - 15M: 15Mide & 15Female
 - 15P: 15Mide & 15Male
 - 25F: 25Female & 25Female
 - 25M: 25Mide & 25Female
 - 25P: 25Mide & 25Male
 - 37F: 37Female & 37Female
 - 37M: 37Mide & 37Female
 - 37P: 37Mide & 37Male
- Connector type
 - 8: Full gold flash
 - Contact plating
 - L: blue
 - B: black
 - Housing color
 - 6: All Tin
 - N: All Nickel
 - Shell plating
 - DS: DS type
 - CC: CC type
 - Screw type

GENERAL TOLERANCE	ANGLE TOLERANCE	PROJECTION	TITLE
X, ±0.60	X, ±5°	mm	D-SUB MINI GENDER CHANGER
.X, ±0.38	.X, ±3°	A4	LL1046-5A
.XX, ±0.25	.XX, ±2°		

DRAWING TYPE	CUSTOMER
SCALE	1:1
DRAWING NO.	SHEET 1 OF 1

慈溪蓝翎电子有限公司 CIXI LANLING ELECTRONICS CO., LTD. Tel: 86-574-63519099 Fax: 86-574-63517070