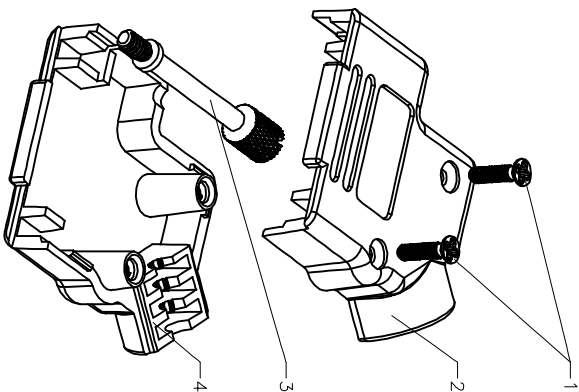
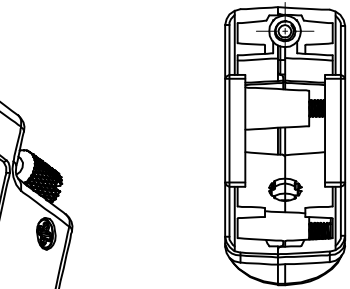
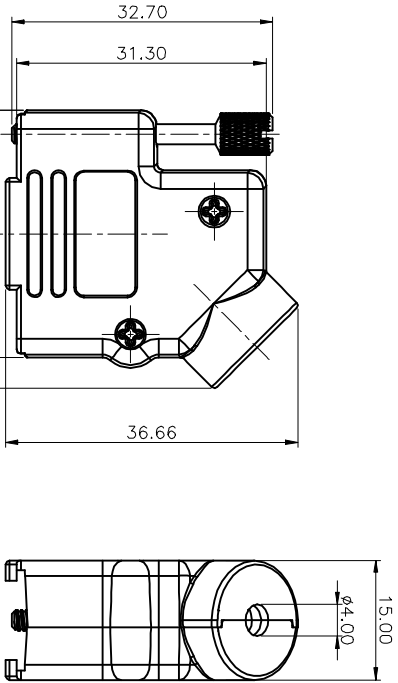
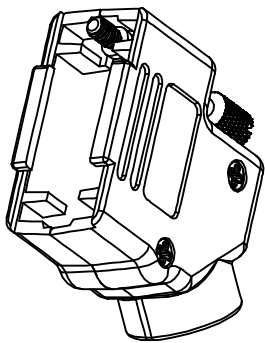


REV.	DESCRIPTION	DRAWN	CHECKED	APPROVED
A	NEW RELEASE	CJJ 11/18/2014	~	



- NOTES:
 1. PART NUMBER CODE:
LL1055-3B - 09 X X - X
 X: LOGO Support
 X: W/O LOGO
 N/A: CONNFY LOGO
 Packing type
 1: Mix packing
 2: Separation packing
 Cover Material
 M: Metal(Znic alloy)
 Positions
 09: 9pin

ITEM	PART NAME	Q'ty	NOTES
1	SCREW	2	M2
2	METAL HOOD-1	1	
3	BOLT	1	UNC#4-40
4	METAL HOOD-2	1	



GENERAL TOLERANCE	ANGLE TOLERANCE
X, ± 0.60	X, $\pm 5^\circ$
.X, ± 0.38	.X, $\pm 3^\circ$
.XX, ± 0.25	.XX, $\pm 2^\circ$

DRAWING TYPE	CUSTOMER
SCALE	1:1
DRAWING NO.	SHEET 1 OF 1

PROJECTION	TITLE
UNITS	mm
SHEET SIZE	A4
SERIES	LL1055-3B

D-SUB 9pin Metal Hoods Right
Angle(45°) Cable Outlet

慈溪蓝翎电子有限公司
CIXI LANLING ELECTRONICS CO., LTD.
 Tel: 86-574-63519006 Fax: 86-574-63517070