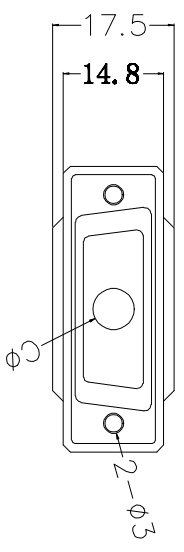
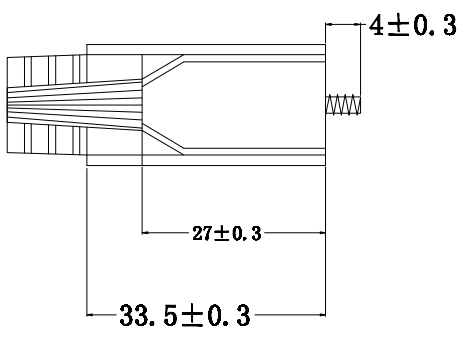
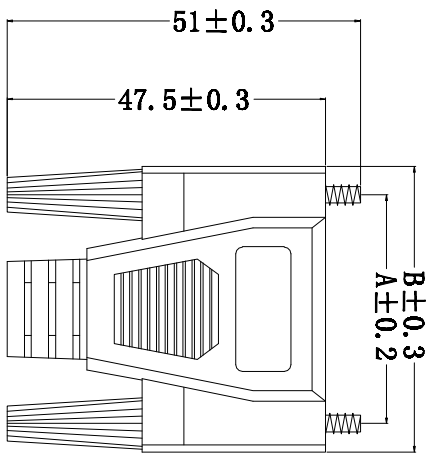


REV.	DESCRIPTION	DRAWN	CHECKED	APPROVED
A	NEW RELEASE	ZQJ 11/18/2015	~	ZQJ 11/18/2015
B	ADD P/N CODE	CJJ 11/18/2015	~	CJJ 11/18/2015



NO. OF CONTACT	A	B	C
09	25	38.9	φ 5.5
15	33	41.8	φ 6.8
25	45.5	55.5	φ 5.5

GENERAL TOLERANCE		ANGLE TOLERANCE	
X.	±0.60	X.	±5°
.X	±0.38	.X	±3°
.XX	±0.25	.XX	±2°

PROJECTION UNITS	TITLE
mm	9P 15P 25P DUST COVER PLASTIC

DRAWING TYPE	CUSTOMER
SCALE	1:1
DRAWING NO.	SHEET
	1 OF 1

慈溪蓝翎电子有限公司
CIXI LANLING ELECTRONICS CO., LTD.

ITEM	PART NAME
1	HOUSING
2	CONTACT

1 2 3 4 5 6 7 8