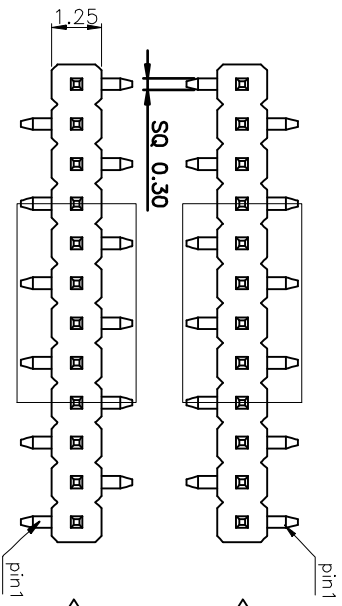
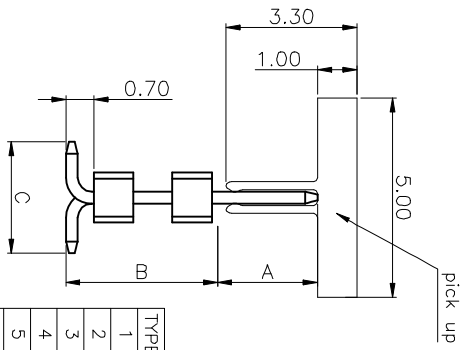
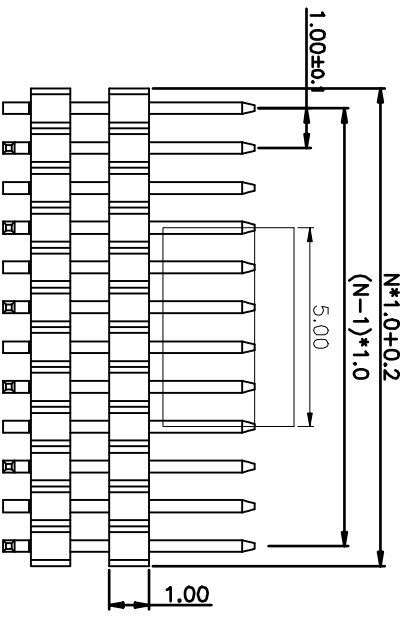


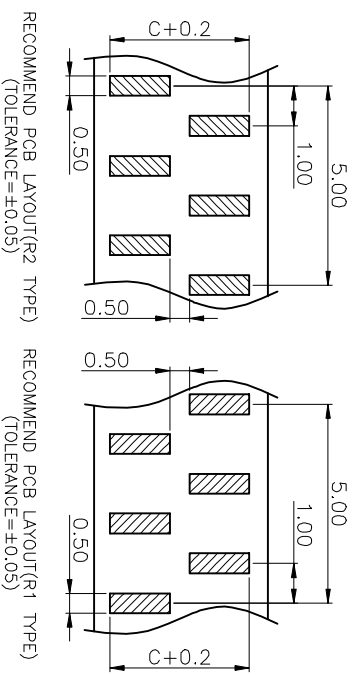
N:NUMBER OF CONTACTS



R2 TYPE
R1 TYPE



TYPE	DIM. A	DIM. B	DIM. C
1	7.00	6.50	7.80
2			
3			
4			
5			
6			
7			
8			



RECOMMEND PCB LAYOUT(R2 TYPE)
(TOLERANCE=±0.05)
RECOMMEND PCB LAYOUT(R1 TYPE)
(TOLERANCE=±0.05)

REV.	DESCRIPTION	DRAWN	CHECKED	APPROVED
A	NEW RELEASE	ZQJ 11/18/2014	~	ZQJ 11/18/2014
B	ADD P/N CODE	CJJ 11/18/2014	~	

NOTES:

- MATERIAL
 - INSULATOR:THERMOPLASTIC(UL 94V-0).
 - CONTACT MATERIAL: COPPER ALLOY.
- SPECIFICATION
 - CURRENT RATING:1.0 Amp.
 - INSULATION RESISTANCE:≥500MΩ Min.
 - DIELECTRIC WITHSTANDING:600VAC.
 - CONTACT RESISTANCE:20mΩ Max.
 - OPERATING TEMPERATURE:-45°C TO+110°C.

GENERAL TOLERANCE	ANGLE TOLERANCE	TOLERANCE
X: ±0.60	X: ±5°	±5°
.X: ±0.38	.X: ±3°	±3°
.XX: ±0.25	.XX: ±2°	±2°

DRAWING TYPE	CUSTOMER	SCALE	SHEET	1 OF 1
DRAWING NO.		1:1		

慈溪蓝翎电子有限公司
CIXI LANLING ELECTRONICS CO., LTD.

SINGLE ROW DUAL HOUSING
PIN HEADER PITCH 1.0mm SMT TYPE
SERIES LL1013-04L